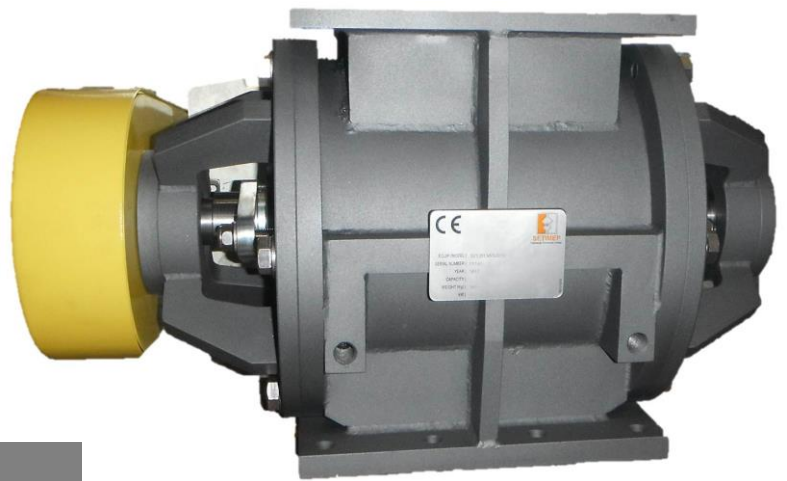




SETIMEP

Engenharia • Ambiente • Energia
Engineering • Environment • Energy



SQUARE FLANGE ROTARY VALVE

MODEL:
SET.VR.D* .****

PRODUCT DESCRIPTION

Square Flange Rotary Valve for discharge and dosing of powders or other types of granular products.

TYPE OF CONSTRUCTION

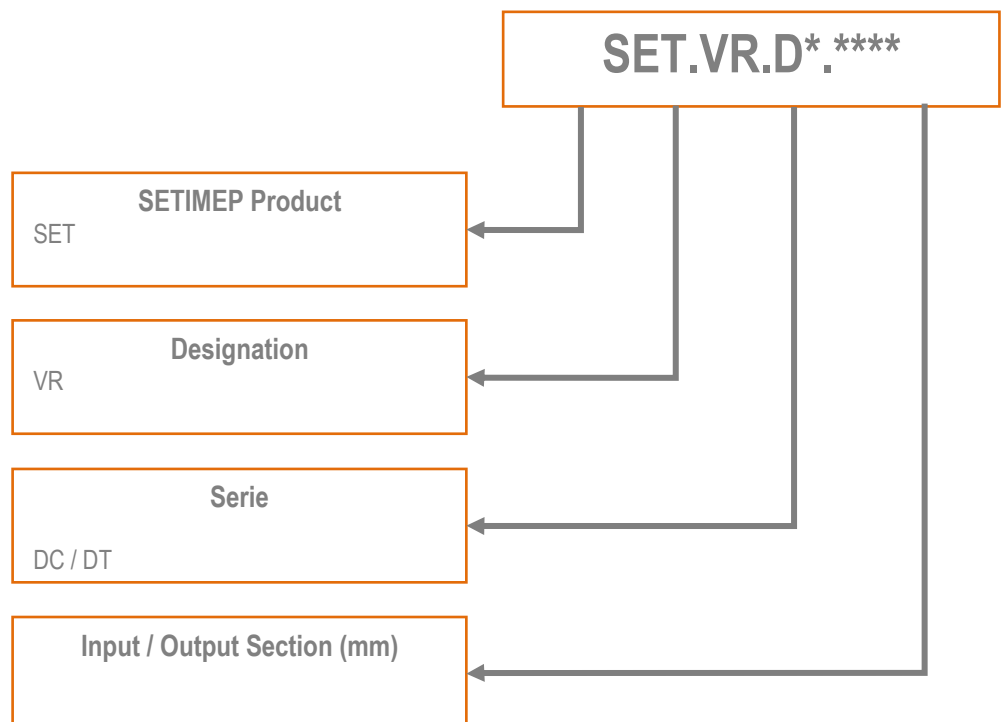
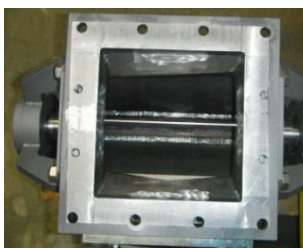
Cast iron Body and Flanges;
Rotor in carbon steel or stainless steel;
Adjustable tempered or stainless-steel blades;
PTFE gasket;
Exterior bearings.

RANGE AVAILABLE

Table 1: Available range

(Fabricated with dimensions and specific materials by request)

CODIFICATION/REFERENCE



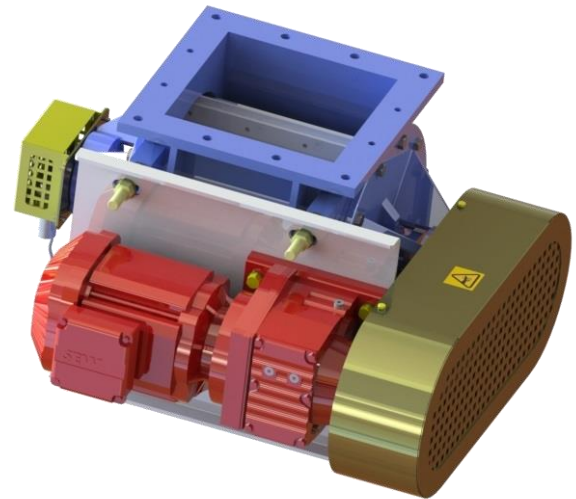
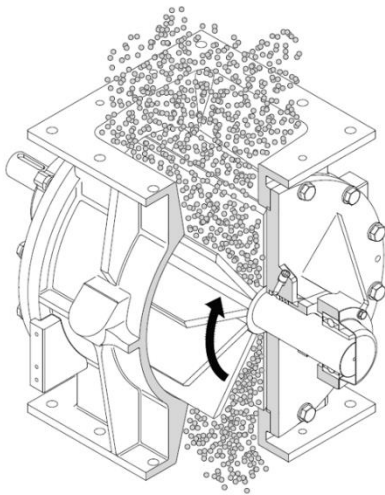
Ex: SET.VR.DT.0250 → Square Flange Rotary Valve with a Diameter body of 250mm with 1bar pressure.

SQUARE FLANGE ROTARY VALVE

MODEL: SET.VR.D* ****

Table 1: Available Range

Ref. \ DN	Ltr/round	Section (mm)	Height (mm)	Pressure (bar)
SET.DC.VRQ.0200	7	200x200	330	0.1
SET.DC.VRQ.0250	18	250x250	400	0.1
SET.DC.VRQ.0300	32	300x300	490	0.1
SET.DC.VRQ.0350	52	350x350	560	0.1
SET.DC.VRQ.0400	82	400x400	645	0.1
SET.DC.VRQ.0500	140	500x500	740	0.1
SET.DT.VRQ.0200	7.5	200x200	330	1
SET.DT.VRQ.0250	17	250x250	400	1
SET.DT.VRQ.0300	33	300x300	490	1
SET.DT.VRQ.0350	52	350x350	560	1
SET.DT.VRQ.0400	85	400x400	645	1
SET.DT.VRQ.0500	144	500x500	740	1



Notes: - Contact us to obtain detailed information about the general dimensions about our rotary valves.
 - All characteristics presented in this standard version could be adapted. Ex: Body, Rotor, speed, etc

Contact us for more information.

OPTIONS

- Safety Sensor in case of obstruction on the product output
- Flexible joints for connections to other equipment or components
- Rotation Sensor.
- Purge system/ shaft seal/ blades extremities.

OPTIONAL ACCESSORIES

- BIG-BAG support.
- Others...



SETIMEP, LDA

Rua Óscar Dias Pereira, 84 - Gualtar 4710-081 Braga | T. +351 253 679 469 | F. +351 253 679 478 | info@setimep.com | www.setimep.com

CAPITAL SOCIAL 50.000 EUROS, MATRICULADA NA CONSERVATÓRIA DO REGISTO COMERCIAL DE BRAGA, SOB Nº 6648 DFE 14/10/99, PESSOAL COL. Nº 503002780